

Waveguide to Coax Adapter, End Launch

WR-19/2.4mm Female/ 40-50GHz

Model: TL-19WCA2.4E-FL

Features:

- Operating Frequency 40 to 50GHz
- Lower Insertion Loss and VSWR
- Instrumentation Grade
- DC Short Circuit

Applications:

- Test Lab
- Instrumentations
- Sub-assemblies

电气特性 Electrical Characteristics:

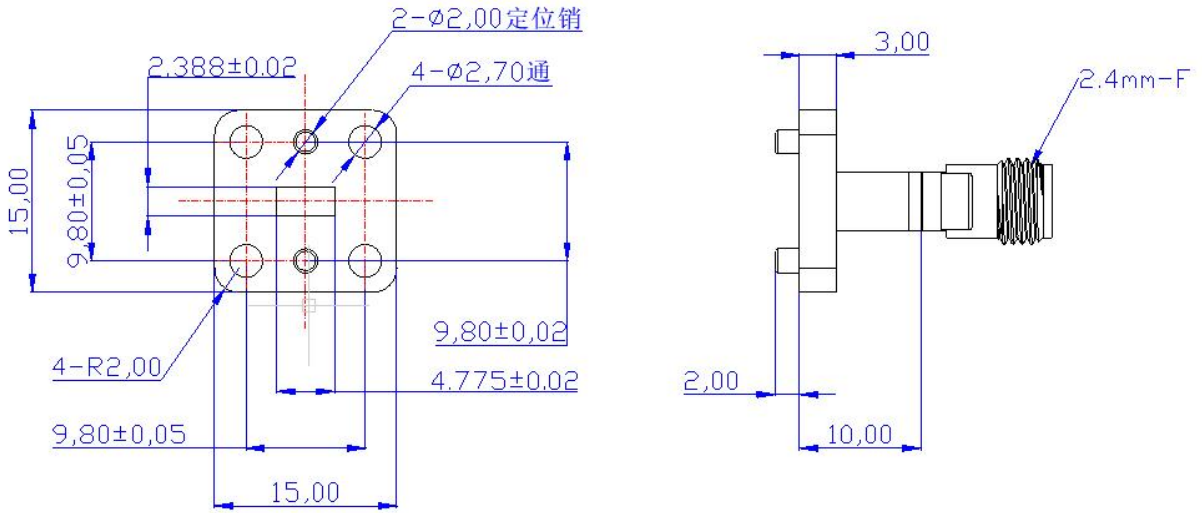
参数 Parameter	Min	Typ	Max	单位 Units
频率范围 Frequency Range	40		50	GHz
驻波 VSWR			1.3	:1
插损 Insertion Loss			0.5	dB

环境和机械特性 Environmental And Physical Characteristics:

类型 Description	参数 Parameter	单位 Units
操作温度 Operating Temperature	-40 To +85	°C
存储温度 Storage Temperature	-40 to +85	°C
材质 Material	Copper	
表面处理 Finish	Gold Plated	
同轴接口 Coax Connector	2.4mm Female	
波导 Waveguide	WR-19(BJ500)	

外形图 Outline Drawing:

Unit:mm



订货信息 Ordering Information:

标准型号 Base Number	描述 Description	版本号 Revision
TL-19WCA2.4E-FL	Waveguide to Coax Adapter, End Launch WR19/2.4mm Female,40-50GHz	Rev.1.1